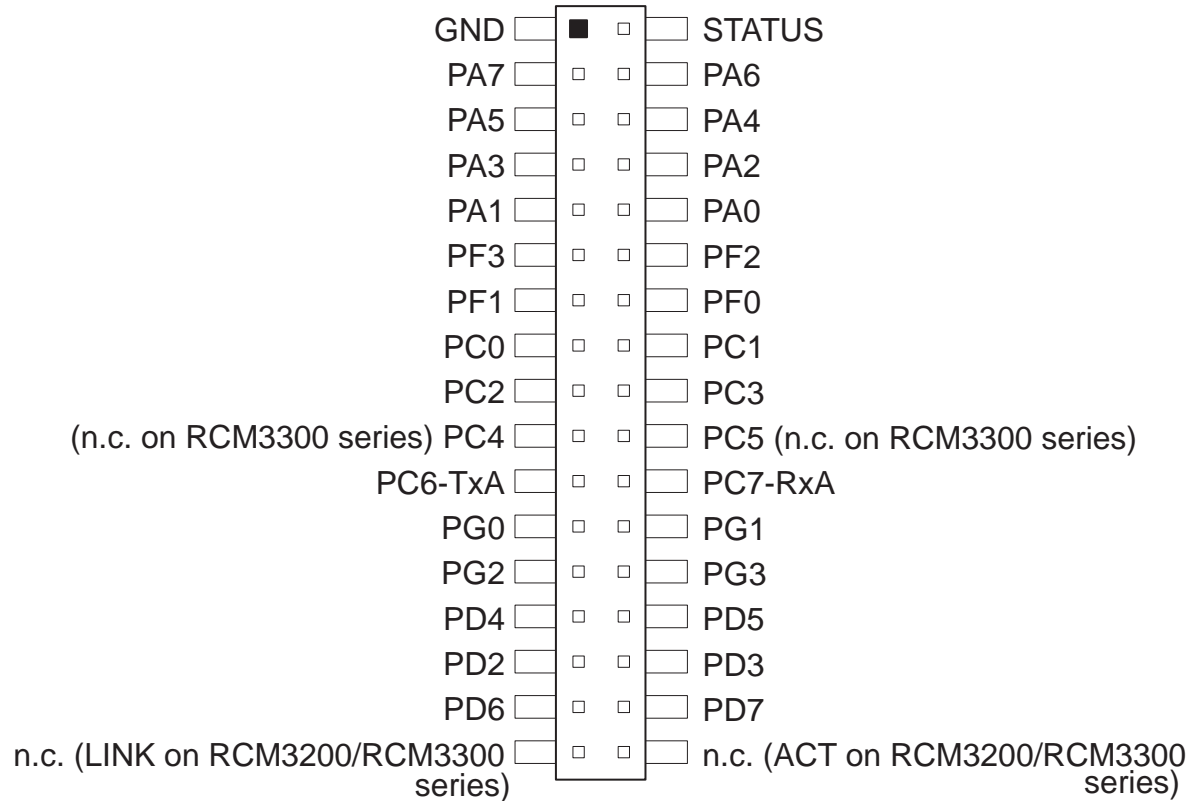


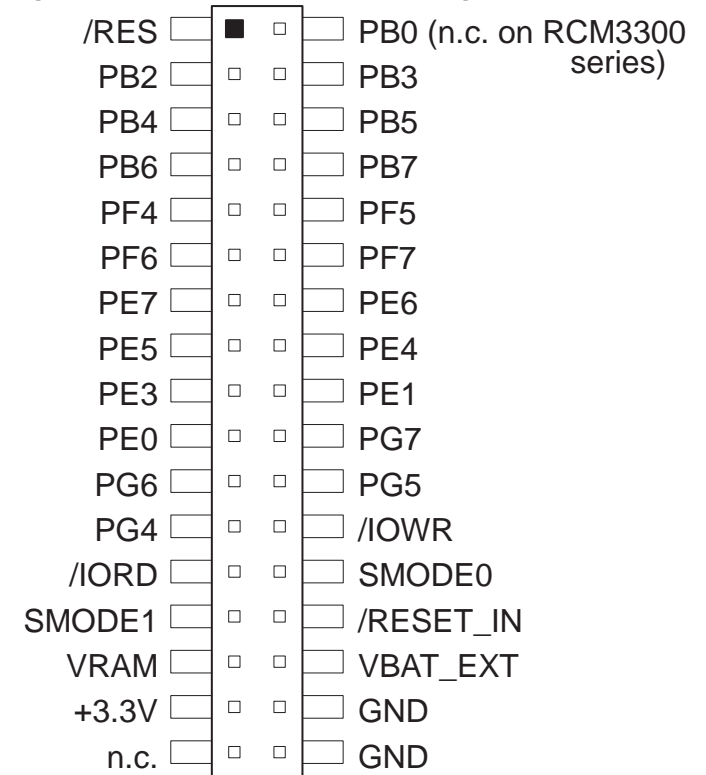
PINOUTS

RCM3000–RCM3300 series

J1 on RCM3000–RCM3200 series (J3 on RCM3300 series)



J2 on RCM3000–RCM3200 series (J4 on RCM3300 series)



n.c. = not connected